

The two hand safety valve generates an output signal only if two synchronised pneumatic input signals are received. If one input signal is interrupted, the output signal is interrupted as well. The most common application involves connecting a manual button-controlled valve to each of the inputs and using the output signal as a start-of-cycle control for a pneumatically-operated machine.

- The two hand safety valve can be secured with through screws or a DIN bar adaptor.
- The complete pushbutton panel includes the dual manual control valve, two manual pushbuttons, and an emergency stop valve, all housed in a metal box to be mounted on a wall or stand.
- The pushbutton housing is supplied on request for anyone wishing to get a personalised pneumatic connection or drill holes to secure the unit.


**SK-85**

**SV-85**
**TECHNICAL DATA**

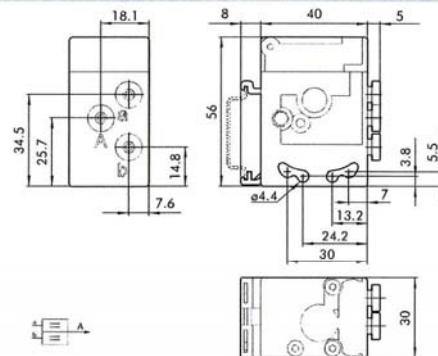
|   |        |  |
|---|--------|--|
| Compressed air couplings  | mm     | Push-in fitting for Ø 4 pipe   |
| Fluid   |        | Filtered, unlubricated compressed air, max 50 µm   |
| Version   |        | Single-control – Complete pushbutton panel   |
| Standard  |        | <ul style="list-style-type: none"> <li>• EN574 type IIIA, TÜV approved according to 2006/42/EC Certified TÜV-A-MHF/MG/13-05260 (Art. No. SV-85)</li> <li>• Certified Bureau Veritas CV 003-12-2011 (Art. No. SK-85)</li> </ul> |
| Synchronisation, max. time between two signals                    | s      | 0.4  |
| De-activation time, with pipe L = max 1000 mm                     | s      | < 0.05   |
| Actuation   |        | pneumatic  |
| Reset   |        | spring operated  |
| Operating pressure  | bar    | 2.5 to 8   |
| Temperature range   | °C     | - 10 to +60  |
| Nominal diameter  | mm     | 2.7  |
| Flow rate at 6 bar (0.6 Mpa - 87 psi) ΔP 1 bar (0.1MPa -1.45 psi) | Nl/min | 85   |
| Mounting position   |        | In any direction   |
| Compatibility with oils   |        |  |

**TWO HAND SAFETY VALVE**

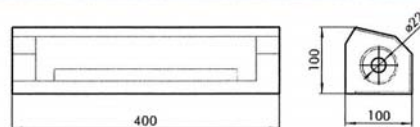
| Art. No. | Description           | Ident No. |
|----------|-----------------------|-----------|
| SV-85    | Two hand safety valve | 106712    |

**Materials**

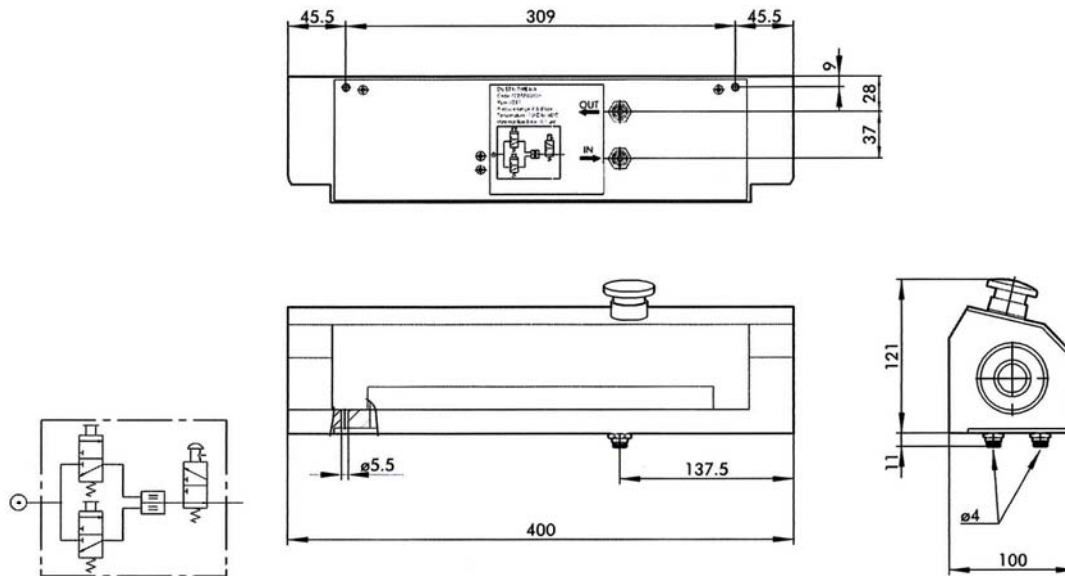
Body: technopolymer  
 Internal parts: brass and technopolymer  
 Gaskets: NBR  
 Spring: alloy steel


**PUSHBUTTON HOUSING**

Description  
 Pushbutton housing



**COMPLETE PUSHBUTTON PANEL**



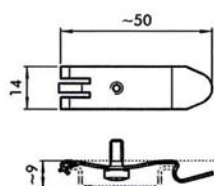
| Art. No. | Description               | Ident No. |
|----------|---------------------------|-----------|
| SK-85    | Complete pushbutton panel | 106711    |

**Materials**  
 Pressure die-cast and painted aluminium alloy

| MAIN COMPONENTS                          |  | Quantity |
|--|--|----------|
| Description                              |  |          |
| Dual manual safety valve                 |  | 1        |
| Monostable protected button - black disk |  | 2        |
| Emergency stop button                    |  | 1        |
| VME1-01 NC Ø 4                           |  | 2        |
| VME2-01 NO Ø 4                           |  | 1        |
| Valve-button connecting base             |  | 3        |
| RL10 Ø 4                                 |  | 2        |

**ACCESSORIES**

**CONNECTION BRACKETS ON THE BAR (DIN EN50022)**



| Art. No. | Description                    | Ident No. |
|----------|--------------------------------|-----------|
| SV-A     | Connection brackets on DIN bar | 106713    |

Individually packed

**Summary Art. No.:**

| Art. No. | Ident No. |
|----------|-----------|
| SK-85    | 106711    |
| SV-85    | 106712    |
| SV-A     | 106713    |